



DESCRIPTION

A miniature pressure switch with high proof pressures ideal for mobile and other harsh applications. It is a well sealed design that offers ingress protection to when paired with the flying lead option. It is offered with a variety of mechanical and electrical terminations for easy integration.

FEATURES

- Silver nickel alloy contacts
- Diaphragm/piston combination
- High ingress protection
- Compact body
- Gold contact available

APPLICATIONS

- Industrial tools
- Garbage trucks
- Brake pressure switch

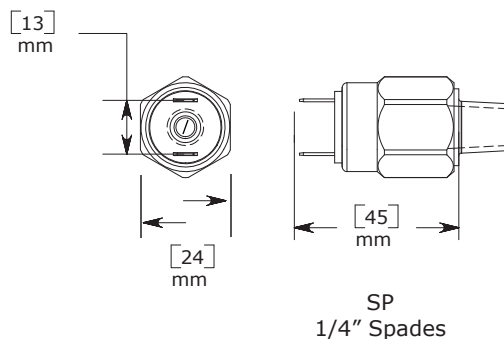
Specifications

Electrical	100 VA,
Switch Type	Blade Contact
Protection	Exposed Terminals - IP00
Temperature Range	-40°F to 248°F (-40°C to 120°C) Nitrile
Mechanical Range	1,000,000 Cycles
Diaphragm Material	Standard: Nitrile Optional: Viton, EPDM, HNBR
Housing Material	Zinc Plated Steel
Maximum Overpressure	4350 PSI (300 BAR)
Repeatability	+/- 3% of full set point range
Weight	0.16 lbs (0.07 kg)

Pressure Range

Model	Adjustment Range	
	PSI	BAR
1	4.35-43.5	0.3-3
2	8.7-87	0.6-6
3	14.5-188.5	1-13
4	58-406	4-28
5	116-870	8-60

Dimensions



Wiring Code

CONTACT	FLYING LEADS	FLWF / FLWM WEATHERPACK	FLDR / FLDP DEUTSCH RECEPTACLE / PLUG
COMMON	BLACK	PIN A	PIN 1
NORMALLY CLOSED	BLACK	PIN B	PIN 2
NORMALLY OPEN	BLACK	PIN B	PIN 2

Ordering Information

Field Adjustable

MS - ¹**2** - ²**2M** - ³**B** - ⁴**SP** - ⁵**1**

1 - Pressure Selection:

Field Adjustable - Select Model Code

Insert set point value XXX followed by: R, F, BR, or BF

Model	Adjustment Range	
	PSI	BAR
1	4.35-43.5	0.3-3
2	8.7-87	0.6-6
3	14.5-188.5	1-13
4	58-406	4-28
5	116-870	8-60

OR

Set point	Direction	Description
XXXX	R	PSI Rising Pressure
	F	PSI Falling Pressure
	BR	BAR Rising Pressure
	BF	BAR Falling Pressure

2 - Thread Options:

- 2M** - 1/8 NPT male
- 4M** - 1/4 NPT male
- 2G** - 1/8 BSPP male, G1/8
- 4G** - 1/4 BSPP male, G1/4
- 4S** - 7/16-20 SAE male, with O-ring seal
- 6S** - 9/16-20 SAE male, with O-ring seal
- M10** - M10 X 1.0 male
- M12** - M12 X 1.5 male

3 - Circuit:

- A** - SPST (Normally Open)
- B** - SPST (Normally Closed)

4 - Electrical Termination:

- FL** - Flying Lead 18" long, 18 AWG, IP68 Cap is standard with this option
- FLWF** - Flying Lead Weatherpack connector, female, 10" long leads
- FLWM** - Flying Lead Weatherpack connector, male, 10" long leads
- FLDP** - Flying Lead Deutsch connector, plug, 10" long leads
- FLDR** - Flying Lead Deutsch connector, receptacle, 10" long leads
- SP** - 1/4" Spade

5 - Options:

- 1** - Viton® Diaphragm
- 2** - EPDM Diaphragm
- 4** - HNBR Diaphragm
- 7** - Gold Contact, 0.4 VA, 30 VDC
- 20** - Seal Adjustment Screw
- OC** - Oxygen Cleaned Switches
- SR** - Snubber

Note: Please see page 42 for other available options