



**DESCRIPTION**

A robust pressure switch with full metal stops for demanding applications. Features a heavy steel body providing high proof pressures as well as an outstanding burst pressure rating. Excellent for hydraulic applications that may see system pressure shock.

**FEATURES**

- Snap action micro switch
- Factory set or field adjustable
- Full metal stops
- High proof pressure

**APPLICATIONS**

- Industrial equipment
- Scissor lifts
- Presses
- Cranes

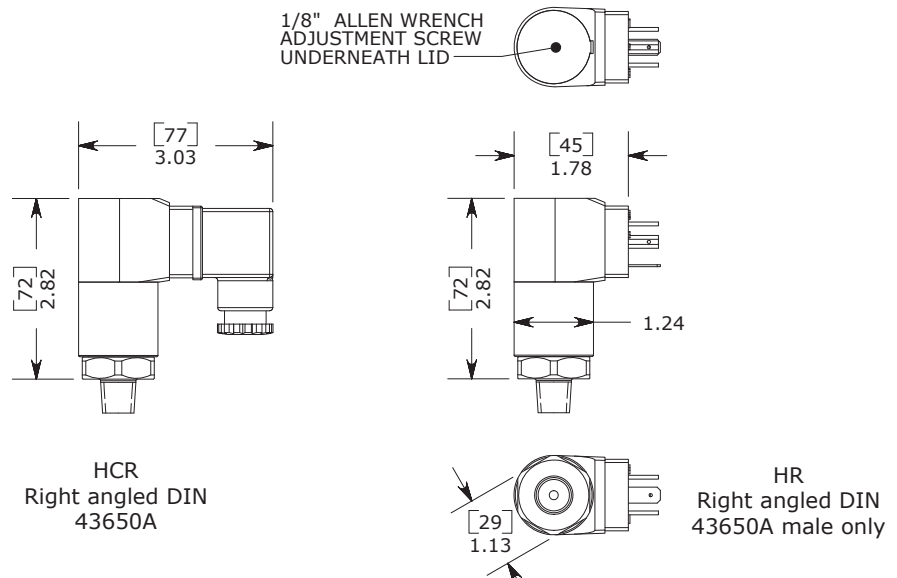
**Specifications**

Electrical	5A [12/24 VDC, 125 VAC] or 3A [250 VAC]
Switch Type	Snap Action
Protection	DIN 43650A - IP65, Terminals - IP00
Temperature Range	-20°F to 180°F (-29°C to 82°C) Nitrile
Mechanical Range	1,000,000 Cycles @ 1000 PSI (69 BAR)
Diaphragm Material	Standard: Nitrile Optional: Viton, EPDM
Housing Material	Zinc Plated Steel (Optional Stainless Steel)
Maximum Overpressure	12000 PSI (827 BAR)
Repeatability	+/- 2% of full set point range
Differential	7 - 30 % of setting
Weight	0.69 lbs (0.31 kg)

**Pressure Range**

Model	Adjustment Range	
	PSI	BAR
2	15 - 75	1.2 - 5.2
3	50 - 150	3.4 - 10
4	150 - 650	10 - 44
5	500 - 1750	34 - 120
6	1500 - 6000	103 - 413

**Dimensions**



**Wiring Code**

CONTACT	DIN 43650 TYPE
COMMON	PIN 1
NORMALLY CLOSED	PIN 2
NORMALLY OPEN	PIN 3

## Ordering Information

Field Adjustable

SDCA - <sup>1</sup>2 - <sup>2</sup>2M - <sup>3</sup>C - <sup>4</sup>HC - <sup>5</sup>1

### 1 - Pressure Selection

Field Adjustable - Select Model Code

Insert set point value XXX followed by: R, F, BR, or BF

Model	Adjustment Range	
	PSI	BAR
2	15 - 75	1.2 - 5.2
3	50 - 150	3.4 - 10
4	150 - 650	10 - 44
5	500 - 1750	34 - 120
6	1500 - 6000	103 - 413

OR

Set point	Direction	Description
XXXX	<b>R</b>	PSI Rising Pressure
	<b>F</b>	PSI Falling Pressure
	<b>BR</b>	BAR Rising Pressure
	<b>BF</b>	BAR Falling Pressure

### 2 - Thread Options:

- 2M - 1/8 NPT male
- 4M - 1/4 NPT male
- 4MF - 1/4 NPT female
- 4G - 1/4 BSPP male, G1/4
- 4GF - 1/4 BSPP female, G1/4
- 4S - 7/16-20 SAE male, with O-ring seal

### 3 - Circuit:

- C - SPDT (Single Pole Double Throw)

### 4 - Electrical Termination:

- HR - 90 Degree DIN 43650A - connector type - male half only (only available in SPDT option)
- HCR - 90 Degree DIN 43650A PG9/PG11- connector type (only available in SPDT option)
- HNR - 90 Degree DIN 43650A 1/2" NPT Conduit (only available in SPDT option)

### 5 - Options:

- 1 - Viton® Diaphragm
- 2 - EPDM Diaphragm
- 3 - 316 Stainless Steel Process Connection and Housing
- 3A - 316 Stainless Steel Process Connection
- 4 - HNBR Diaphragm
- 7 - Gold Contact, Snap Action Microswitch @ 20mA@ 12Vdc
- 8 - 10 amp, Snap Action Microswitch @ 10(2) 125 VAC (inductive)
- 20 - Seal Adjustment Screw
- OC - Oxygen Cleaned Switches
- SR - Snubber



Note: Please see page 42 for other available options