

合金型 – 小尺寸(Miniature Size)

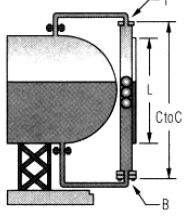
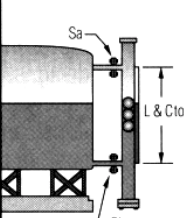
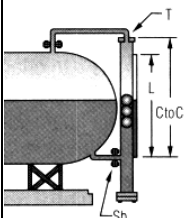
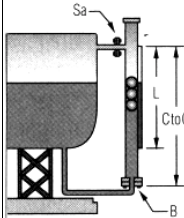
- 长度可超过 20 英尺 (6.1 米)
- 全不锈钢外壳
- 1/2"或 3/4" NPT 侧面或顶部/底部连接

如果位置紧张, 请采用这种迷你型 SureSite——他们的直径只有 1-1/4"! 它们能以出色的外部可视液位指示替代现有的老式玻璃板液位计。迷你型 SureSite 适用于清洁的、低粘性的液体。

典型应用

- 医药
- 食品 and 饮料
- 医学设备
- 半导体制造

1. 安装构造类型

	AM 型	BM 型	CM 型	DM 型
	顶部和底部 过程连接	侧面和侧面 过程连接	顶部和侧面 过程连接	侧面和底部 过程连接
				
典型长度*	$C - C = L + 13" (330 \text{ mm})$	$C - C = L$	$C - C = L + 12-1/2" (317 \text{ mm})$	$C - C = L + 12-1/2" (317 \text{ mm})$
外壳和浮子 材质	见下文			
旗板材质	塑料 (300°F/148.9°C) 或铝 (750°F/399°C)			
指示长度 (连续的)	240" (610 cm)			

*尺寸因连接、材质和比重不同而不同。

注: 可选用特殊材质、浮子、连接和制造技术来延伸长度和扩展操作性能。如果以上参数不合您的要求, 请同 GEMS SENSORS 联系。

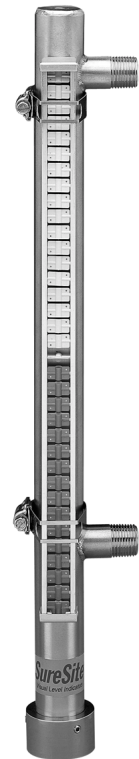
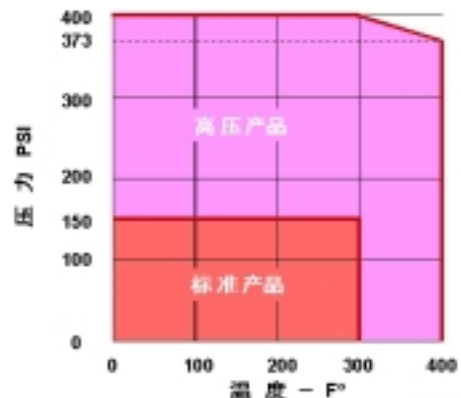
2. 材质

从以下列出的材质中选出您想要的。每种材质的压力/温度参数曲线列在了右图中。若以下列出的参数不能满足您对压力/温度的要求, 请同厂家联系。

	材质		代码
	外壳	浮子	
标准设备	304 不锈钢	316 不锈钢	1
高压设备	316 不锈钢	316 不锈钢	2

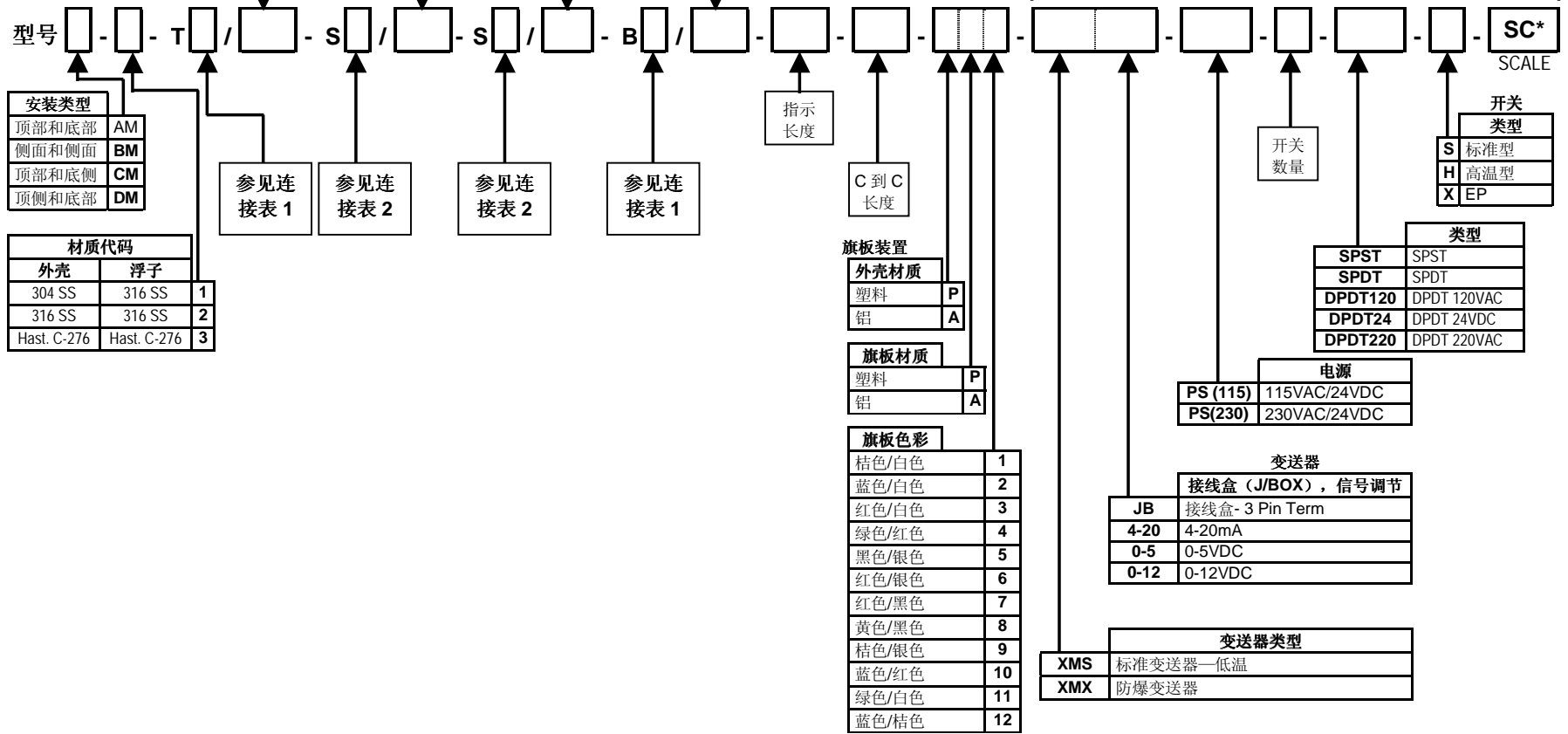
迷你型 SureSite 的性能

GEMS 的迷你型 SureSite 指示计, 采用多种材质和接头, 可在右表所示的压力/温度范围内使用。



迷你型合金 SureSite 选型指南：

连接尺寸：如果是 NPT, 靶焊或插焊, 请填入 (.25", 5", .75", 1", 等) 尺寸。
 如果是法兰, 请填入 (.5" 150#, 1" 150#, 2" 300#, 1" 600#, 等) 尺寸
 例如: T2/.5" - S4/1" 150# - B5/.5"
 T19/.5"150# - S1 - B20/.5" 150#
 T2/.5" - S1 - S4/.75" 300# - B4



迷你型 SureSite 连接代码表

连接表 1

	T1	焊接帽	B1	
	T2	焊接帽带 FNPT	B2	
	T3	焊接帽带 MNPT	B3	
	T4	可拆卸式帽	B4	
	T5	可拆卸式帽带 FNPT	B5	
	T6	可拆卸式帽带 MNPT	B6	
	T7	卫生法兰	B7	
	T8	卫生法兰带配合法兰	B8	
	T9	卫生法兰带同心异径接头	B9	
	T10	标准固定法兰/配合盲法兰	B10	
	T11	标准上法兰/配合 FNPT 异径法兰	B11	
	T12	标准固定法兰/配合法兰 w/MNPT 管接头	B12	
	T13	标准固定法兰/配合法兰 w/靶焊管接头	B13	
	T14	ANSI 固定法兰/配合盲法兰	B14	
	T15	ANSI 固定法兰/配合 FNPT 异径法兰	B15	
	T16	ANSI 固定法兰/配合法兰带 MNPT 管接头	B16	
	T17	ANSI 固定法兰/配合法兰带靶焊管接头	B17	
	T18	焊接帽带靶焊管接头	B18	
	T19	焊接帽带 ANSI 法兰	B19	
	T20	标准固定法兰/配合异径法兰短管	B20	

连接表 2

S1	无连接	
S2	MNPT 管接头	
S3	FNPT 管接头	
S4	ANSI 法兰	
S5	卫生法兰	
S6	靶焊管接头	

性能注解：

1. 作为一种选择，开关组件或变送器都可被用在小型 **SureSite** 指示计 – 不能同时。
2. 在 **150 PSI** 以下的压力下，最小比重为 **0.7**。超过 **150 PSI** 的压力，最小比重为 **0.8**。
3. 标准 O 形环材质为 **Viton®**（氟化橡胶）。其它材质可按要求提供。
4. 对于连接代码 **T/B 4** 和 **5**，最大压力为 **150 PSI**。
5. 电抛光外径（OD）和/或内径（ID）外壳可按要求提供。

更多特点！

- 更高压力
- 进口合金
- 额外选项和附件
- 更多连接类型

Gems SureSite Miniature Alloy Versions Selection

Configuration Guide, Inquiry/Order Form

Thank you for your interest in Gems SureSite Indicators. You've selected the configuration, engine, material, and fluid level indicator. SureSite indicators are the most accurate and reliable indicators in their category because of their exclusive patented technology and the fact that they are built to last.

Our miniature SureSite indicators (only 1" of height) offer the same rugged construction, exceptional accuracy and reliability as our standard line only for one inch and compact for use in tight spaces. These lower cost units service both the oil and gas industries, with a wide range of configurations available for custom. Size of service requirements. They come in 1/2" and 1" SureSite series, handle pressure and temperature to 100 PSI and carry all the accessories in-line.

Because each and every SureSite indicator is manufactured to order, it may take a few extra days to ship. Specifications for all applications are included in both of us. The Configuration Guide includes an inquiry form Form-Full specifies the product of displaying our own Configuration Guide. Complete this form to ensure an accurate price and delivery quotation.

Note: If You Don't See What You Want, Just Give Us a Call!
Units are available to custom. SureSite indicators to meet your application requirements. The SureSite line, Connection Code, and Materials selected for this guide are those most commonly selected in industry. There are, however, other mounting, material and connection options available that are not shown in this Configuration Guide. Please contact us. We will work with you. Contact us. If you do not see something required for your application, please call, our 800 or the phone and fax or e-mail. Please to substitute for general SureSite indicators.

How to Use this Inquiry/Order Document
Pages 4 and 5 of this document comprise the Inquiry/Order Form. Make copies of these pages to fill in and using the Configuration Guide and Pages 1 and 2. The Configuration Guide section explains the various mounting types, process connection options and material choices. (SIP/SHI). Make the choice of the indicator. Make the choice of the process and fluid of the information you provide it in the Process Conditions section of the questionnaire. Please be sure to complete this section in its entirety.

Miniature SureSite Performance

Note: SureSite Indicators are available in configurations other than 304L (316L). Gems configurations Miniature SureSite Indicators, using various materials and alloys, to inquire refer to Process Temperature parameters specified in the chart above.